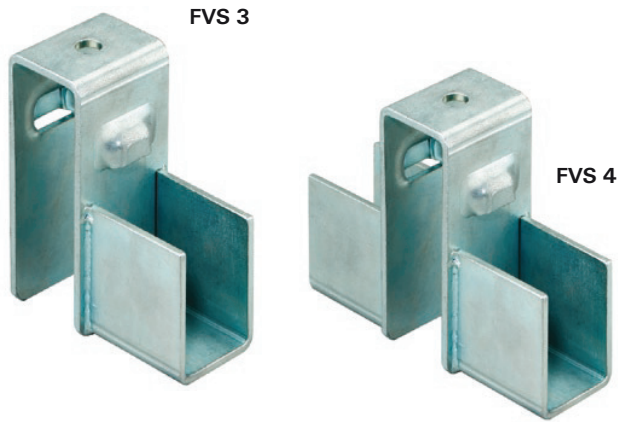


Cross connector FVS

OVERVIEW



Properties:

Material	Steel material no. 1.0037 acc. to DIN EN 10025
Zinc plating	Electro zinc plated, min. 5 µm

Installation Grid

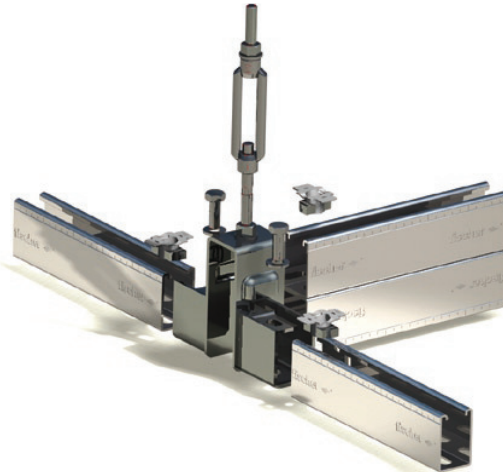
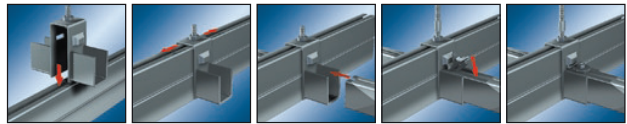
DESCRIPTION

- 90° cross connector to be assembled between channels FUS 41/62 and FUS 41/124.

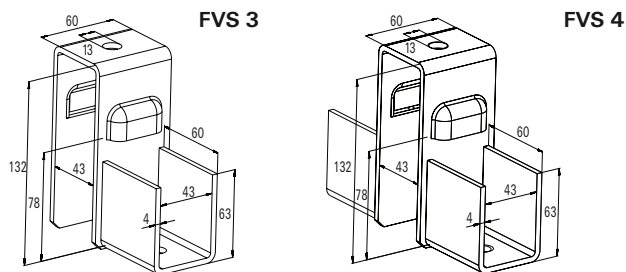
Advantages / Benefits

- Simple and time-saving production of a channel grid.
- Easy suspension to the ceiling with M12 threaded rod.
- Installation possible by one man worker.

INSTALLATION



TECHNICAL DATA



Type	Art. No.	Qty. per box	for profile
FVS 3	505549	8	FUS 62 + FUS 62D
FVS 4	505550	5	FUS 62 + FUS 62D

FUS



Type	Art. No.	Qty. per box			
		pcs.			
FUS 62/2,5 - 6 m	504457	1			
FUS 62D/2,5 - 6 m	504460	1			

Codes and characteristics see on page 74

FUF OC



Type	Art. No.	Qty. per box	Holes	Thinness	Length
		pcs.			
FUF OC 62	504518	10	14	4	400

Codes and characteristics see on page 81

Channel washer HK 41



Type	Art. No.	Qty. per box			
		pcs.			
HK 41 12,5	504354	50			

Codes and characteristics see on page 85

Threaded rod G



Type	Art. No.	Qty. per box	Length		
		pcs.	(mm)		
G M12/3	064056	5	3000		

Codes and characteristics see on page 130

Hexagonal nut MU / Washer U



Type	Art. No.	Qty. per box			
		pcs.			
MU 12	024650	100			
U 12 x 40	024649	100			

Codes and characteristics see on pages 135 and 136

Installation Grid

Hexagonal connector VM



Type	Art. No.	Qty. per box			
		pcs.			
VM M12	020971	100			

Codes and characteristics see on page 136

Turnbuckle SPS / Bolt left-hand/right hand BLR



Type	Art. No.	Qty. per box			
		pcs.			
SPS	064090	25			
BRL	064091	25			

Codes and characteristics see on page 133

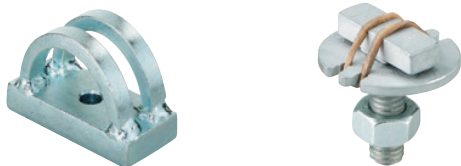
Beam clamp TKR



Type	Art. No.	Qty. per box			
		pcs.			
TKR 124	504367	10			

Codes and characteristics see on pages 91

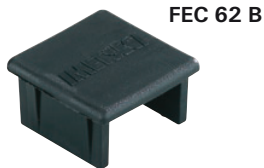
Universal mounting UHRS / T-head bolt FHS Clix-S



Type	Art. No.	Qty. per box			
		pcs.			
UHRS	063938	6			
FHS Clix-S 12 x 30	020969	50			

Codes and characteristics see on pages 83 and 89

Cover cap FEC



Type	Art. No.	Qty. per box pcs.	for Profil	Material
FEC 62 B	505551	100	FUS 62	polyethylene

Codes and characteristics see on page 81

Threaded rod bracket FSB 45°



Type	Art. No.	Qty. per box pcs.		
FSB 45°	71269	20		

Codes and characteristics see on page 92

Installation Grid

Clix channel nut FCN Clix



Type	Art. No.	Qty. per box pcs.	Thread M [mm]	Thickness S
FCN Clix P 12	504331	100	M 12	9.5

Codes and characteristics see on page 82

Channel nut FCN



Type	Art. No.	Qty. per box pcs.	Thread M	Thickness S [mm]
FCN 12	77411	100	M 12	9

Codes and characteristics see on page 84

Hexagonal screw SKS



Type	Art. No.	Qty. per box pcs.	Length L [mm]	Thread D	Width across nut SW
SKS 12 x 20	077610	100	20	M 12	19

Codes and characteristics see on page 135